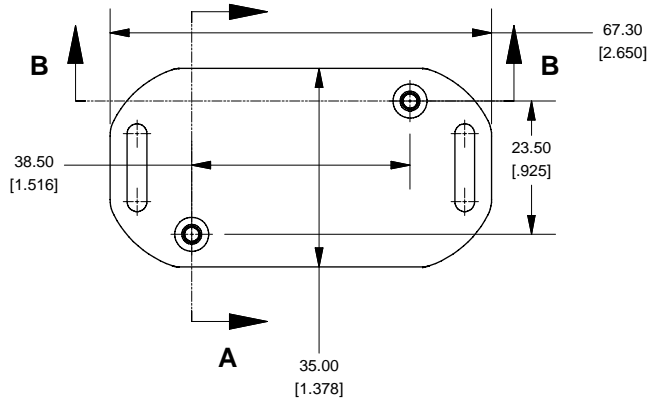
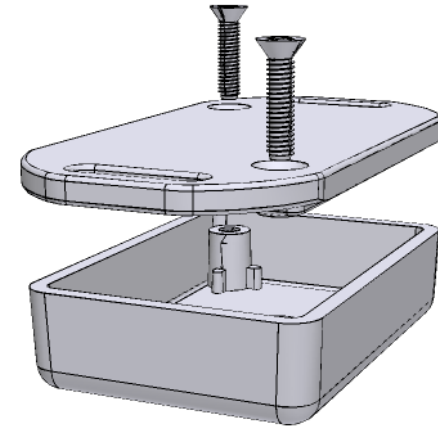
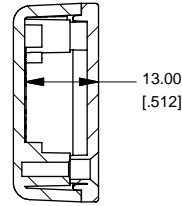


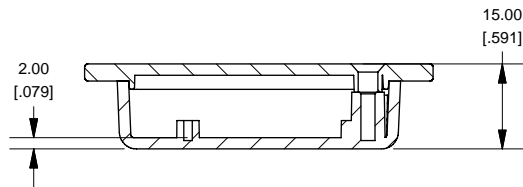
Top View of Assembly



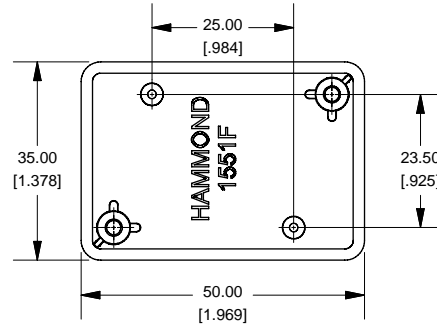
**SECTION A-A
End View of Assembly**



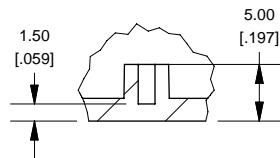
**SECTION B-B
Side View of Assembly**



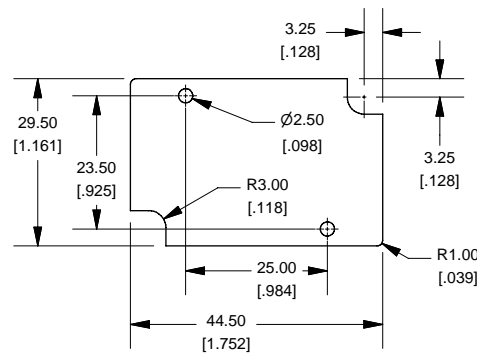
Top View Looking Inside Box



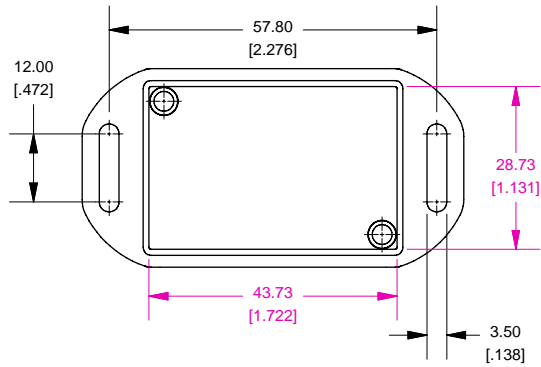
**SECTION C-C
Boss Heights**



Maximum P.C. Board Size



Lid



1551FFL (Flanged Lid)

NOTE

Purchased assembly includes lid and box made from GP ABS material and cover screws.

1551FFL	
1551FFL Flange Enclosure	
Black Enclosure - RAL 7001 - UL94 - HB	1551FFLHBK
Gray Enclosure - RAL 7035 - UL94 - HB	1551FFLFGY
ACCESSORIES	
Black Enclosure Cover Screws (Pkg 100) [#4 X 1/2" Self Tapping]	1591TS100BK
Grey Enclosure Cover Screws (Pkg 100) [#4 X 1/2" Self Tapping]	1591TS100
P.C. Board Screws (Pkg 100) [32 x 3/16" Self Tapping]	1551ATS100



www.hammondmfg.com